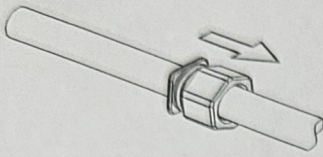
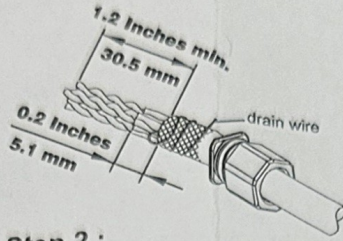


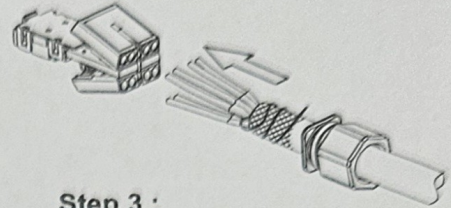
Instruction Sheet



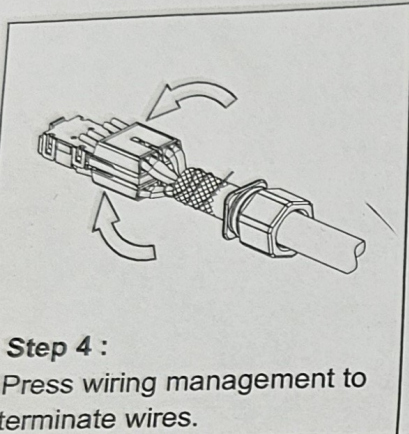
Step 1 :
Put cable through the Nut.
(OD:6~8mm;23~26AWG)



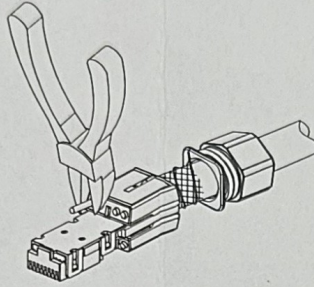
Step 2 :
① Strip off cable jacket for at least 1.2 Inches and retain a 0.2 Inches foil from cable end.
② Back cover the braid then wrap the drain wire on it.



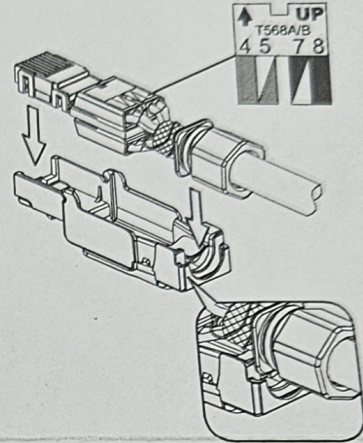
Step 3 :
Put wires through wiring management in accordance with wiring color code.



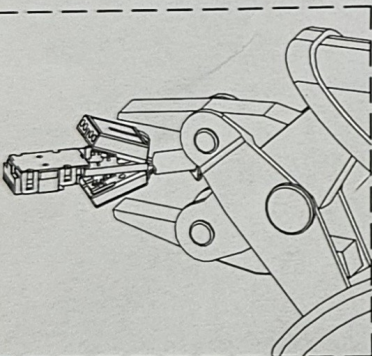
Step 4 :
Press wiring management to terminate wires.



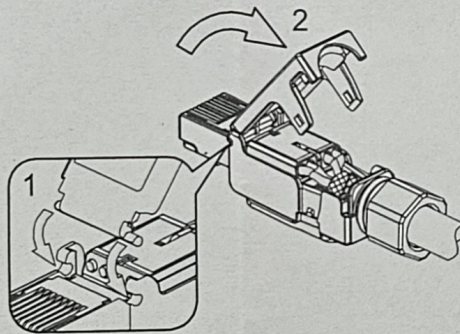
Step 5 :
Trim excess wires.



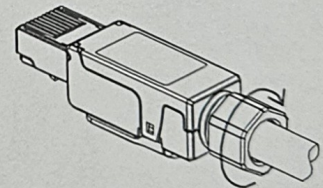
Step 6 :
Assemble the wiring management ("UP" on the top surface) into the groove of base housing, and locate the nut in the indicated slot.



Or either by tool.

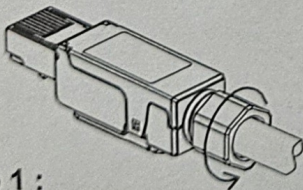


Step 7 :
1. Put cover into revolving groove.
2. Then press the cover to engage with base housing.

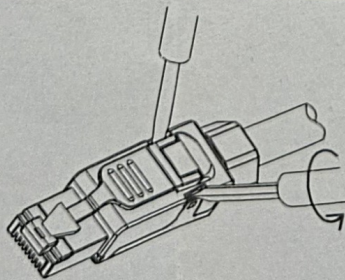


Step 8 :
Lock and tight the nut.

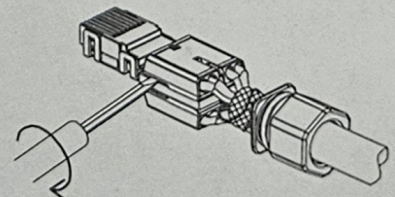
Disassembly Instruction:



Step 1 :
Unlock the nut.



Step 2 :
Insert the slotted screwdriver into the slot and rotate to open the jaws.



Step 3 :
Insert the slotted screwdriver into the slot and rotate to open the wiring Management.