

A

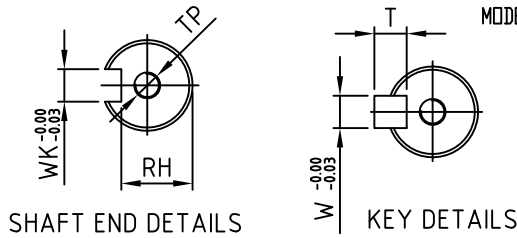
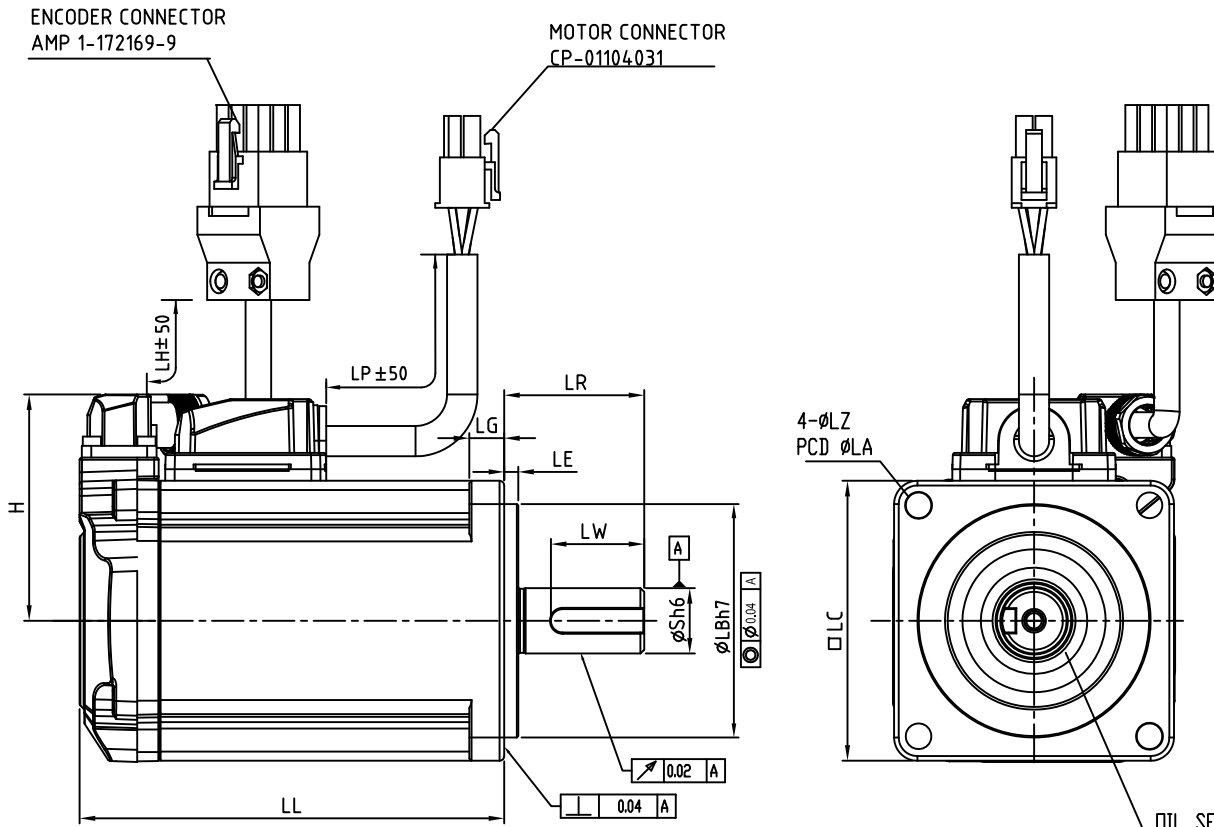
B

C

A

B

C



DIMENSION TABLE

MODEL	LL	LR	LG	LW	WK	W	T	RH	TP	S	IF	LA	LZ	LB	LC	H	LH	IP
ECM-B3M-C□0602RS1	72.5	30	7.5	20	5	5	5	11	M4, Depth 15	14	3	70	5.5	50	60	48.5	300	300
ECM-B3M-C□0604RS1	91	30	7.5	20	5	5	5	11	M4, Depth 15	14	3	70	5.5	50	60	48.5	300	300

台達電子工業股份有限公司 DELTA ELECTRONICS, INC.		DRAWN:	DESIGN:
APPROVE:		DATE: 06/04/2019	
THESE DRAWINGS AND SPECIFICATIONS ARE THE PROPERTY OF DELTA ELECTRONICS, INC. AND SHALL NOT BE REPRODUCED OR USED AS THE BASIS FOR THE MANUFACTURE OR SELL OF APPARATUS OR DEVICES WITHOUT PERMISSION.			
DIMENSIONAL TOLERANCES ( ) ( ) ( ) ( ) ANGLES DECIMALS <50 ±0.1 <50 ±0.15 <50 ±0.2 <30° ±0.1° X ±0.3 >50-100 ±0.15 >50-100 ±0.2 >50-100 ±0.25 >30°-60±0.3° X.X ±0.2 >100-200 ±0.2 >100-200 ±0.25 >100-200 ±0.3 >60°-90±0.5° X.XX ±0.1 >200° ±0.2% >200° ±0.25% >200° ±0.3%			
DESCRIPTION: CONFIDENTIAL ECM-B3M-F60		A3 SIZE THIRD ANGLE PROJECTION	PART NO.: REV. 00
USED ON	UNIT: mm	SCALE:	SHEET 1 OF 1