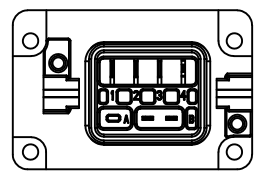


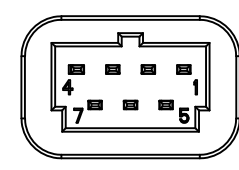
馬達出貨不含配件線·
此僅供高度確認

DIMENSION TABLE

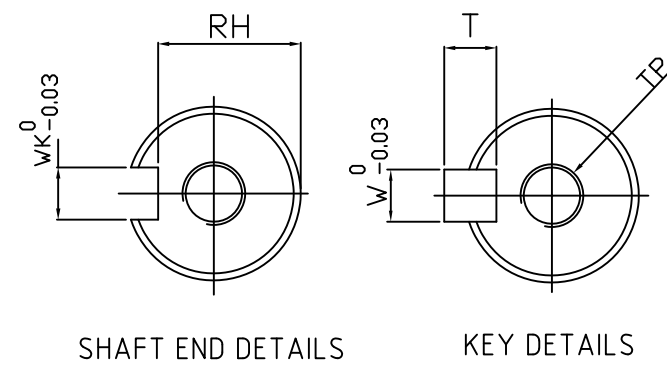
| MODEL | LL | LR | LG | LW | WK | W | T | RH | TP | S | LE | LA | LZ | LB | LC | H |
|-------------------|-------|----|-----|----|----|---|---|----|--------------|----|----|----|-----|----|----|----|
| ECM-B3M-CA0602SB1 | 104.4 | 30 | 7.5 | 20 | 5 | 5 | 5 | 11 | M4, Depth 15 | 14 | 3 | 70 | 5.5 | 50 | 60 | 44 |
| ECM-B3M-CA0604SB1 | 122.9 | 30 | 7.5 | 20 | 5 | 5 | 5 | 11 | M4, Depth 15 | 14 | 3 | 70 | 5.5 | 50 | 60 | 44 |



| MOTOR CONNECTOR (MODEL WITH BRAKE) | | |
|------------------------------------|----------|-------|
| PIN No. | FUNCTION | COLOR |
| 1 | U PHASE | RED |
| 2 | V PHASE | WHT |
| 3 | W PHASE | BLK |
| 4 | GND | GRN |
| 5 | BRAKE | BRN |
| 6 | BRAKE | BLU |



| ENCODER CONNECTOR | | |
|-------------------|----------|--------|
| PIN No. | FUNCTION | COLOR |
| 1 | T+ | WHT |
| 2 | T- | YEW |
| 3 | DC+5V | BRN |
| 4 | GND | BLU |
| 5 | BAT+ | RED |
| 6 | BAT- | BLK |
| 7 | SHIELD | SHIELD |



| | | |
|--|---|---|
| 台達電子工業股份有限公司 DELTA ELECTRONICS, INC. | DRAWN: FelixLin | DESIGN: FelixLin |
| | APPROVE: | DATE: 11/11/2022 |
| THESE DRAWINGS AND SPECIFICATIONS ARE THE PROPERTY OF DELTA ELECTRONICS, INC. AND SHALL NOT BE REPRODUCED OR USED AS THE BASIS FOR THE MANUFACTURE OR SELL OF APPARATUS OR DEVICES WITHOUT PERMISSION. | DIMENSIONAL TOLERANCES () () () () ANGLES DECIMALS <50 ±0.1 <50 ±0.15 <50 ±0.2 <30° ±0.1° X ±0.3 >50-100 ±0.15 >50-100 ±0.2 >50-100 ±0.25 >30°-60° ±0.3° X.X ±0.2 >100-200 ±0.2 >100-200 ±0.25 >100-200 ±0.3 >60°-90° ±0.5° X.XX ±0.1 >200- ±0.2% >200- ±0.25% >200- ±0.3% | |
| | DESCRIPTION: CONFIDENTIAL PHYSICAL DIMENSION | A3 SIZE THIRD ANGLE PROJECTION |
| USED ON | UNIT: mm | SCALE: &scale SHEET 1 OF 1 |