

1

2

3

4

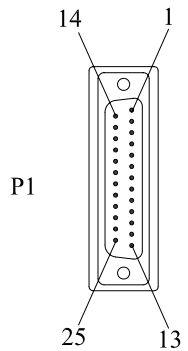
5

6

7

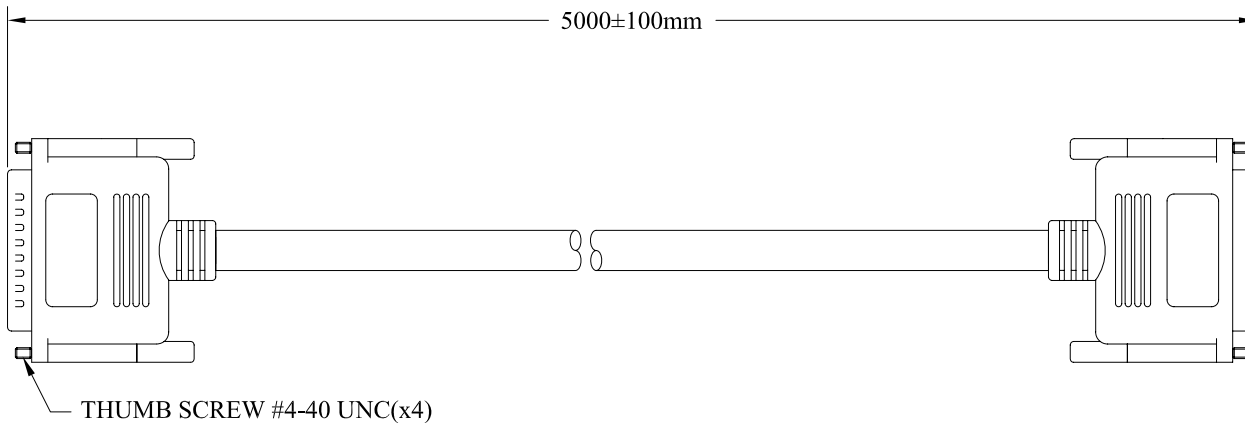
Signature	Revision History	Date	Rev.
Alex.Dan	For Bulk Production	Dec.20.2005	01

DB 25M  
PLASTIC:BLUE

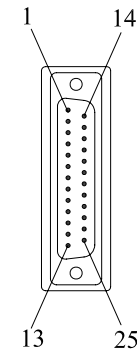


P1

5000±100mm



DB 25F  
PLASTIC:BLUE



P2

NOTES:

- CABLE:28AWG(7/0.127 T.C)\*25C INSULATION:PVC+DRAIN WIRE+AL/MYLAR+JACKET PVC COLOR:BEIGE.  
OD:Ø7.0±0.2mm NON-UL
- CONNECTOR:  
P1:DB 25P MALE,GOLD FLASH CONTACT,NICKEL PLATED SHELL  
P2:DB 25P FEMALE,GOLD FLASH CONTACT,NICKEL PLATED SHELL
- HOOD:MOLDED TYPE,PVC 45P,COLOR:BEIGE.
- ELECTRICAL TEST:  
<1>.100% OPEN SHORT & MIS WIRE TEST  
<2>.CONTACT RESISTANCE 3 OHMS MAX.  
<3>.INSULATION RESISTANCE 20M OHMS MIN.
- PACKING:SEE P-0039 REV.C PACKING DRAWING  
PACKING TYPE: DB VP5.  
(HANKING SIZE MUST BE SMALLER THAN PACKING)

PIN OUT

P1	1	2	3	4	5	6	7	8	9	10	11	12	13	14
P2	1	2	3	4	5	6	7	8	9	10	11	12	13	14
	15	16	17	18	19	20	21	22	23	24	25	SHELL		
	15	16	17	18	19	20	21	22	23	24	25	SHELL		

RoHS Compliant

EAN Code:  
4016032062714

ST81407

	Date	Name	Part No.  <b>AK 136 5M</b>
Drawn by	Dec.20,2005	Alex Dan	
Checked by	Dec.20,2005	Norman Xu	
Approved by			Title. DB25/M-DB25/F CABLE,5M
<b>ASSMANN</b> Electronic GmbH			
Scale	N/A	Sheet	1/1
Unit	MM		

1

2

3

4

5

6

7